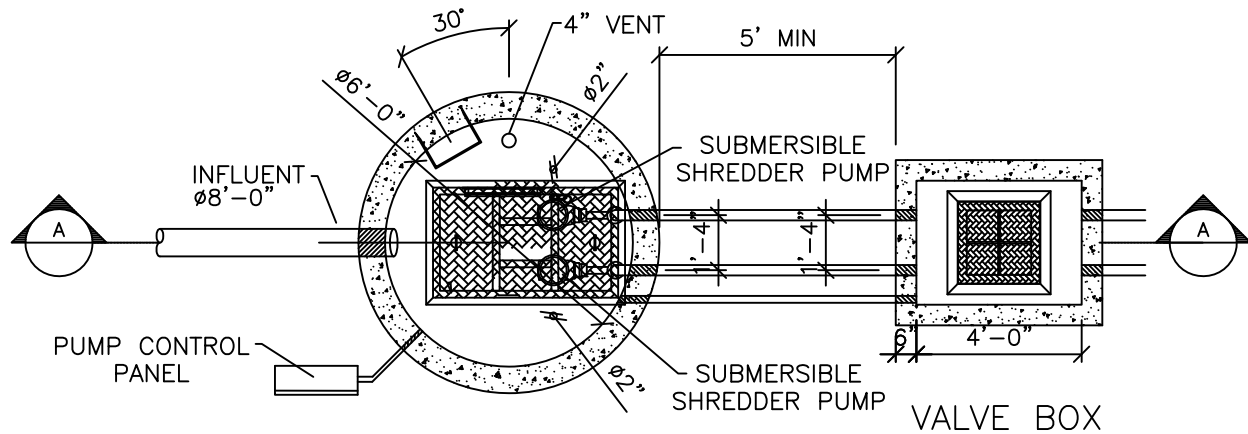
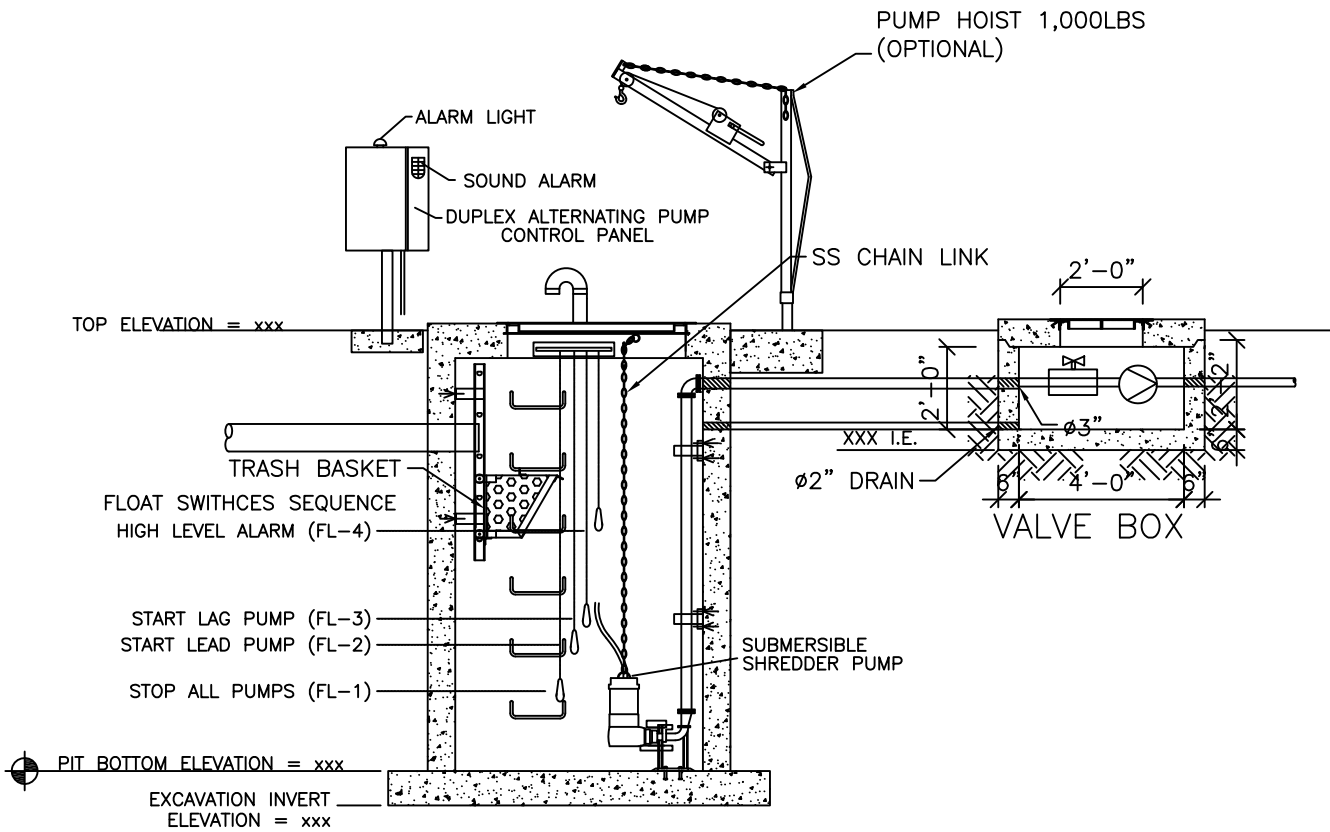


# SANITARY LIFT STATION TYPICAL 1/2 HP TO 5 HP



SANITARY SEWER LIFT STATION DETAIL  
N.T.S



SECTION

SCALE: N.T.S.



**JUSTINO R. FERRER HOPGOOD P.E.**

PMB 415, 89 Ave. de Diego Ste. 105  
San Juan, Puerto Rico 00927

TEL. (787) 274-1847

FAX (787) 754-6244

Email : specco@caribe.net

WEB-PAGE : www.speccoenv.com